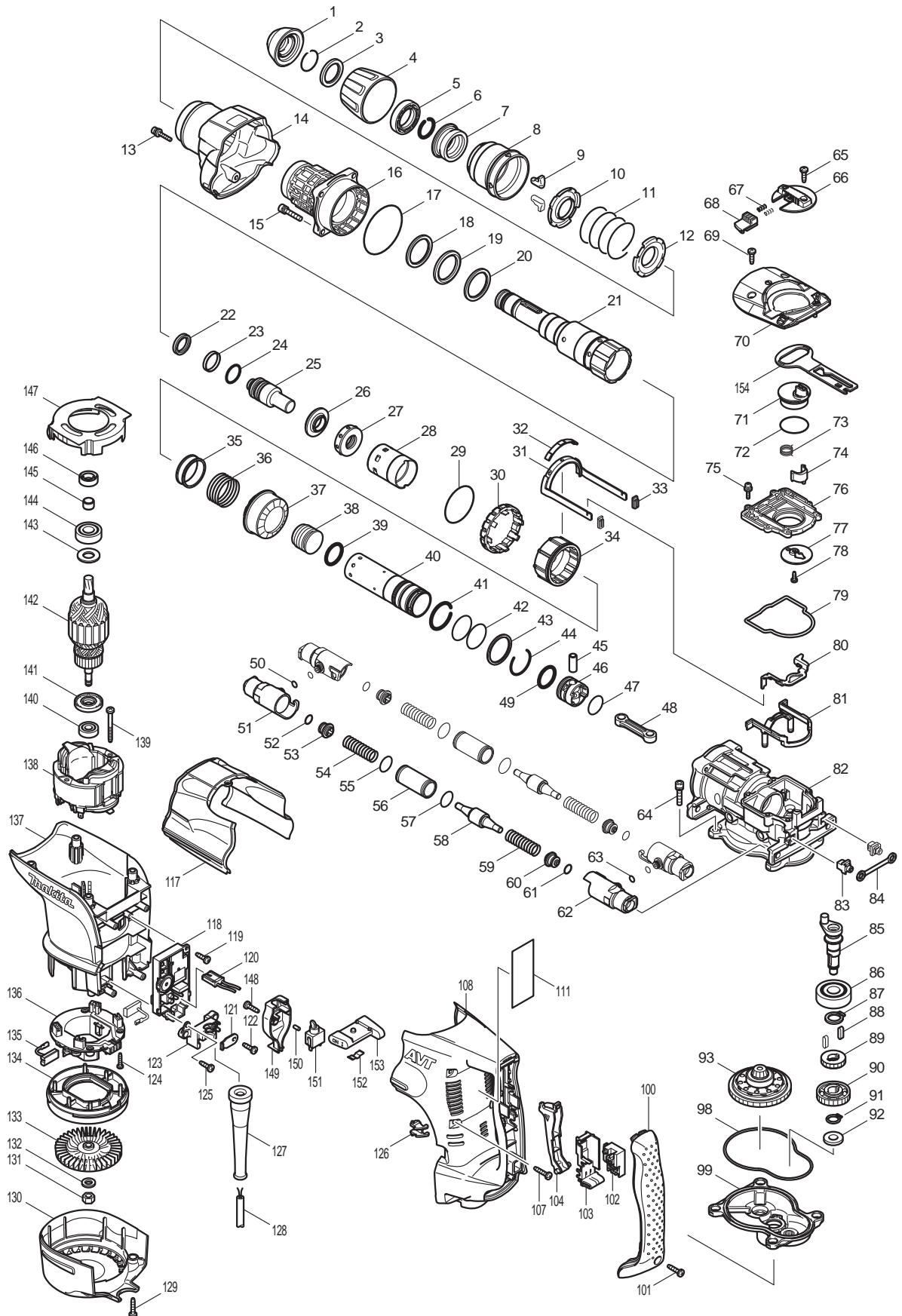




12 - 2009  
HR4510C  
SDS-MAX 1-3/4" ROTARY HAMMER



Item No.	Type	Sub	Part No.	Description	Qty	Unit
1	2		286285-4	* TOOL HOLDER CAP	1	PC.
2			233948-3	RING SPRING 25	1	PC.
3			257280-1	RING 28	1	PC.
4			450064-8	CHUCK COVER	1	PC.
5			419002-9	SPACER	1	PC.
6			233948-3	RING SPRING 25	1	PC.
7			324752-2	CHUCK RING	1	PC.
8			450030-5	RELEASE COVER	1	PC.
9			310178-4	TOOL RETAINER	2	PC.
10			345804-6	SPRING GUIDE	1	PC.
11			233496-2	COMPRESSION SPRING 49	1	PC.
12			345804-6	SPRING GUIDE	1	PC.
13			922148-7	HEX. SOCKET HEAD BOLT M4X25	1	PC.
14			158300-3	BARREL COVER COMPLETE	1	PC.
15			922353-6	HEX.SOCKET HEAD BOLT M6X30	4	PC.
16			158576-2	BARREL COMPLETE	1	PC.
		INC.	213480-3	OIL SEAL 35	1	PC.
		INC.	214507-2	PLANE BEARING 36	1	PC.
		INC.	214601-0	PLANE BEARING 48	1	PC.
		INC.	233964-5	RING SPRING 50	1	PC.
		INC.	213604-1	O RING 50 (Added)	1	PC.
17			213754-2	O RING 71	1	PC.
18			267357-4	FLAT WASHER 36	1	PC.
19			262135-7	RUBBER RING 36	1	PC.
20			267357-4	FLAT WASHER 36	1	PC.
21			324872-2	TOOL HOLDER	1	PC.
22			213980-3	X-RING 21	1	PC.
23			213431-6	FLUORIDE RING 28	1	PC.
24			213394-6	O RING 23	1	PC.
25			324802-3	IMPACT BOLT	1	PC.
26			324805-7	RING 19	1	PC.
27			424032-7	RUBBER RING 20	1	PC.
28			450024-0	SLIDE SLEEVE	1	PC.
29			213656-2	O RING 53	1	PC.
30			450031-3	LOCK SLEEVE	1	PC.
31			165465-4	LINK ARM	1	PC.
32			450032-1	LINK ARM GUIDE	1	PC.
33			424024-6	SEAL PLATE	2	PC.
34			324800-7	DRIVING SLEEVE	1	PC.
35			331599-7	RING 38	1	PC.
36			234024-6	COMPRESSION SPRING 39	1	PC.
37			227526-9	STRAIGHT BEVEL GEAR 35	1	PC.
38			324804-9	STRIKER	1	PC.
39			213981-1	O-RING 27	1	PC.
40			324803-1	CYLINDER 34	1	PC.
41			233956-4	RING SPRING 37	1	PC.
42			213460-9	O RING 35	2	PC.
43			257283-5	RING 38	1	PC.
44			233955-6	RING SPRING 36	1	PC.
45			331598-9	PIPE 10	1	PC.
46			450025-8	PISTON	1	PC.
47			213407-3	O RING 26	1	PC.
48			450026-6	CONECTING ROD	1	PC.
49			213981-1	O-RING 27	1	PC.
50			213030-4	O RING 8	2	PC.
51			318169-9	PIPE HOLDER	2	PC.
52			213118-0	O RING 12	2	PC.

Item No.	Type	Sub	Part No.	Description	Qty	Unit
53			450027-4	SPRING GUIDE	2	PC.
54			234023-8	COMPRESSION SPRING 14	2	PC.
55			213373-4	O RING 22	2	PC.
56			331778-7	PIPE 20	2	PC.
57			213373-4	O RING 22	2	PC.
58			324806-5	* COUNTER WEIGHT	2	PC.
59			234023-8	COMPRESSION SPRING 14	2	PC.
60			450027-4	SPRING GUIDE	2	PC.
61			213118-0	O RING 12	2	PC.
62			318169-9	PIPE HOLDER	2	PC.
63			213030-4	O RING 8	2	PC.
64			922353-6	HEX.SOCKET HEAD BOLT M6X30	4	PC.
65			266192-7	TAPPING SCREW 4X14	1	PC.
66			419020-7	CHANGE LEVER	1	PC.
67			233436-0	COMPRESSION SPRING 3	2	PC.
68			419009-5	LOCK BUTTON	1	PC.
69			266192-7	TAPPING SCREW 4X14	2	PC.
70			318171-2	CRANK CAP COVER	1	PC.
71	1		419784-3	* CRANK LEVER	1	PC.
	2		450687-2	* CRANK LEVER	1	PC.
72			213687-1	O RING 36	1	PC.
73			233506-5	TORSION SPRING 16	1	PC.
74			310207-3	LINK LEVER	1	PC.
75			911133-5	PAN HEAD SCREW M4X18	6	PC.
76			450034-7	CRANK CAP	1	PC.
77			345778-1	RETAINER PLATE	1	PC.
78	1		266020-6	* TAPPING SCREW 4X12	1	PC.
	2		265014-8	* + PAN HEAD SCREW M4X12	1	PC.
79			424034-3	SEAL RING	1	PC.
80			345822-4	LINK PLATE	1	PC.
81			450029-0	LINK PLATE GUIDE	1	PC.
82			158297-6	CRANK HOUSING COMPLETE	1	PC.
83			419008-7	FIX GUIDE	2	PC.
84			423345-3	CUSHION PLATE	1	PC.
85			324801-5	CRANK SHAFT	1	PC.
86			211279-0	BALL BEARING 6303LLU	1	PC.
87			961057-5	RETAINING RING S-17	1	PC.
88			254220-0	KEY 5	2	PC.
89			227181-7	SPUR GEAR 19	1	PC.
90			226655-5	HELICAL GEAR 36	1	PC.
91			961054-1	RETAINING RING S-14	1	PC.
92			253180-3	FLAT WASHER 10	1	PC.
93			125415-1	TORQUE LIMITER ASS'Y	1	PC.
98			424033-5	SEAL RING	1	PC.
99			158299-2	GEAR HOUSING COMPLETE	1	PC.
100			419796-6	HANDLE COVER	1	PC.
101			265995-6	TAPPING SCREW 4X18	1	PC.
102	1		650567-4	SWITCH TG73B-1	1	PC.
	2		650676-9	SWITCH C3PA-1111	1	PC.
103			154626-1	SWITCH HOLDER COMPLETE	1	PC.
104			419028-1	SWITCH LEVER	1	PC.
107			266041-8	TAPPING SCREW 5X25	6	PC.
108			450040-2	HANDLE	1	PC.
111			864092-1	HR4510C NAME PLATE	1	PC.
117			450036-3	CRANK HOUSING COVER	1	PC.
118			631750-2	CONTROLLER	1	PC.
119			266192-7	TAPPING SCREW 4X14	1	PC.

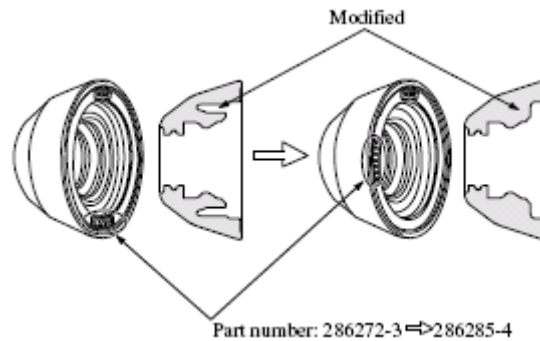
Item No.	Type	Sub	Part No.	Description	Qty	Unit
120			638510-3	LEAD UNIT	1	PC.
121			687169-3	STRAIN RELIEF	1	PC.
122			266192-7	TAPPING SCREW 4X14	1	PC.
123			419024-9	CORD CLAMP BASE	1	PC.
124			265995-6	TAPPING SCREW 4X18	4	PC.
125			266192-7	TAPPING SCREW 4X14	1	PC.
126			419774-6	LENS	1	PC.
127			682560-0	CORD GUARD 10	1	PC.
128			664471-1	CORD W/PLUG 2P,14-5.0M	1	PC.
129			266041-8	TAPPING SCREW 5X25	2	PC.
130			450035-5	REAR COVER	1	PC.
131			252178-7	HEX. NUT M8-12	1	PC.
132			253165-9	FLAT WASHER 8	1	PC.
133			240016-5	FAN 90	1	PC.
134			419782-7	FAN GUIDE	1	PC.
135	3		195845-0	CARBON BRUSH CB-175 2PC/SET (W/ ORIGIN)	1	SET
136			638447-4	BRUSH HOLDER UNIT	1	PC.
137			450041-0	MOTOR HOUSING	1	PC.
138			636311-3	FIELD 115V	1	PC.
139			266046-8	TAPPING SCREW 5X50	2	PC.
140			210059-1	BALL BEARING 6000DDW	1	PC.
141			681642-5	INSULATION WASHER	1	PC.
142			517766-0	ARMATURE ASS'Y 115V	1	PC.
		INC.		Item No. 140, 141, 145		
143			267025-9	FLAT WASHER 15	1	PC.
144			211238-4	BALL BEARING 6202LLU	1	PC.
145			331596-3	SLEEVE 12	1	PC.
146			213231-4	OIL SEAL 15	1	PC.
147			450033-9	BAFFLE PLATE	1	PC.
148			266192-7	TAPPING SCREW 4X14	1	PC.
149			419786-9	SWITCH BOX	1	PC.
150			263027-3	RUBBER PIN 4	1	PC.
151			651418-4	SWITCH ST115A-40	1	PC.
152			232209-8	LEAF SPRING	1	PC.
153			154635-0	SLIDE LEVER COMPLETE	1	PC.
154			450042-8	CONTROL PLATE	1	PC.
155			331840-8	* SHOULDER SLEEVE 19 (Added)	1	PC.
200			265701-9	SCREW M6X14 (F/GRIP ASSY)	1	PC.
201			266163-4	CUP SQUARE NECK BOLT M8X80 (F/SIDE HANDLE 68 ASSY)	1	PC.
202			344491-8	GRIP SPRING 68 (F/SIDE HANDLE 68 ASSY)	1	PC.
203			344492-6	PLATE (F/SIDE HANDLE 68 ASSY)	1	PC.
204			416299-1	SIDE GRIP BASE 68 (F/SIDE HANDLE 68 ASSY)	1	PC.
205			931302-2	HEX. NUT M6 (F/SIDE HANDLE 68 ASSY)	1	PC.
<b>ACCESSORIES</b>				<b>- See catalogue or visit <a href="http://www.makita.ca">www.makita.ca</a> for optional accessory -</b>		
A01			158131-0	GRIP 36 COMPLETE (F/HR4510C)	1	PC.
A01A			123138-5	GRIP ASSEMBLY (F/HR4510CV)	1	PC.
A02	1		158275-6	PLASTIC CARRYING CASE COM (F/HR4510C)	1	PC.
		INC.	163467-4	LATCH	2	PC.
		INC.	816880-2	INDICATION LABEL	1	PC.
	4		196187-5	PLASTIC CARRYING CASE	1	PC.
		INC.	892399-5	INDICATION LABEL (Same as 816880-2)	1	PC.
		INC.	----	INNER TRAY - N/A as individually	1	PC.
A02A			196191-4	PLASTIC CARRYING CASE (F/HR4510CV)	1	PC.
		INC.	892399-5	INDICATION LABEL	1	PC.
A03	1		181573-3	GREASE VESSEL 93G	1	PC.
	2		194683-7	GREASE VESSEL SET, 100CC, PUMP TYPE, FOR BIT	1	PC.

Item No.	Type	Sub	Part No.	Description	Qty	Unit
A04			134890-0	SIDE HANDLE 68 ASS'Y, D-STYLE (F/HR4510C)	1	PC.
		INC.	151769-0	SIDE HANDLE 68 COMPLETE	1	PC.
		INC.	252640-2	WING NUT M8	1	PC.
		INC.	265439-6	HEX. BOLT M8X150	1	PC.
		INC.	417002-3	SIDE HANDLE CAM	2	PC.
		INC.	417003-1	SIDE HANDLE	1	PC.
A04A			135531-1	SIDE HANDLE 73 ASS'Y, D-STYLE (F/HR4510CV)	1	PC.
		INC.	141519-1	SIDE HANDLE 73 COMPLETE	1	PC.
		INC.	252640-2	WING NUT M8	1	PC.
		INC.	265439-6	HEX. BOLT M8X150	1	PC.
		INC.	417002-3	SIDE HANDLE CAM	2	PC.
		INC.	417003-1	SIDE HANDLE	1	PC.
A05			443122-7	CLOTH	1	PC.
A06A			123066-4	DEPTH GAUGE B ASSEMBLY (F/HR4510CV)	1	PC.
A07A			162332-4	DUST COVER COMPLETE (F/HR4510CV)	1	PC.
A08			321248-4	DEPTH GAUGE (F/HR4510C)	1	PC.
A08A			331955-1	DEPTH GAUGE (F/HR4510CV)	1	PC.
A09A			424472-9	DUST COVER CAP (F/HR4510CV)	2	PC.
A10A			444034-7	FIXED BAND (F/HR4510CV)	1	PC.
A11A			453115-6	JOINT (F/HR4510CV)	2	PC.
A12A			453118-0	BELLOWS (F/HR4510CV)	2	PC.
A14A			453674-0	JOINT 25 (F/HR4510CV)	1	PC.
A15A			453710-2	SPACER (F/ fitting Dust Extractor Attachment) (F/HR4511CV)	1	PC.
A16A			196074-8	SDS-MAX DUST EXTRACTION ATTACHMENT (F/HR4510CV)	1	PC.
				(See Parts Breakdown 196074-8)		
		INC.		Item No. A01A, A06A - A12A, A14A		
A17	1		188581-5	HAMMER SERVICE KIT SET	1	SET
	2		195210-3	HAMMER SERVICE KIT SET	1	SET
		INC.	A-90582	MAKITA GREASE R NO.00, 30G, 10OZ (HAMMER GREASE)	1	PC.
		INC.	195845-0	CARBON BRUSH SET CB-175 2PC/SET W/ORIGIN)	1	SET
		INC.	213394-6	O RING 23	1	PC.
		INC.	213431-6	FLUORIDE RING 28	1	PC.
		INC.	213980-3	X RING 21	1	PC.
		INC.	213981-1	O RING 27	1	PC.
		INC.	286285-4	TOOL HOLDER CAP	1	PC.
A18			135209-6	GRIP 36 ASS'Y (STRAIGHT) (HR4510C)	1	PC.
		INC.	265701-9	SCREW M6X14	1	PC.
		INC.	266163-4	CUP SQUARE NECK BOLT M8X80	1	PC.
		INC.	158131-0	GRIP 36 COMPLETE	1	PC.
		INC.	931302-2	HEX. NUT M6	1	PC.
		INC.	416299-1	SIDE GRIP BASE 68	1	PC.
		INC.	344492-6	PLATE	1	PC.
		INC.	344491-8	GRIP SPRING 68	1	PC.
		INC.	321248-4	DEPTH GAUGE	1	PC.

## SERVICE CHANGES

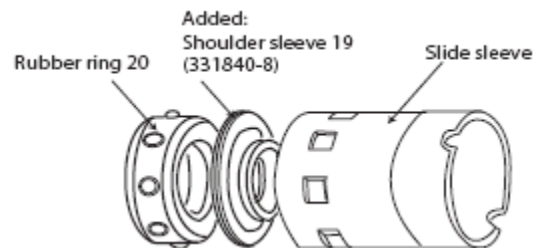
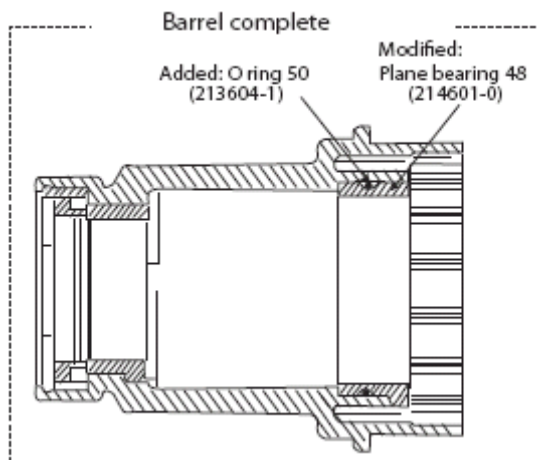
### 1. Changes on Tool Holder

Item No.	Description	Type 1	Type 2
1	TOOL HOLDER CAP	286272-3	286285-4



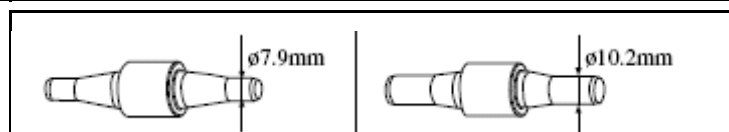
### 2. Changes on Barrel Complete, etc.

Item No.	Description	Type 1	Type 2
16	BARREL COMPLETE	158576-2 (Part No. remains the same)	
16	Oring 50 (Component of Barrel Com.)	-----	213604-1
155	SHOULDER SLEEVE	-----	331840-8



### 3. Changes on Counter Weight

Item No.	Description	Type 1	Type 2
58	COUNTER WEIGHT	324806-5 (Part No. remains the same)	



#### 4. Changes on Crank Lever, Tapping Screw

Item No.	Description	Type 1	Type 2
71	CRANK LEVER	419784-3	450687-2
78	TAPPING SCREW	266020-6	265014-8

Above parts are completely interchangeable as a set.

